

N1410 E2629

T.H. 8-A
MARTIN RD. 50' R/W

LOT 43

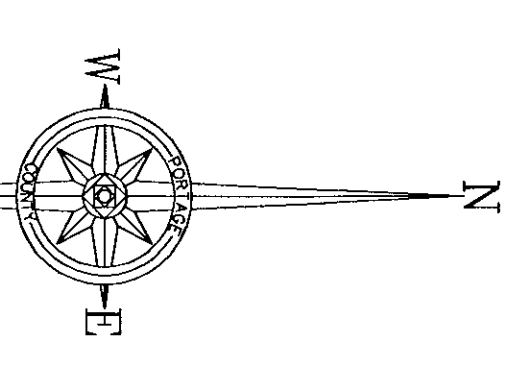
C.H. 4-C
MISHLER RD. 60' R/W

N1375 E3629

WEAKLAND RD.
VOL.34 PG.69

CONLEY SUBDIVISION
Sub Lot 1 Vacated 2-9-80

- 171- L.F. Komer 7-31-03 300 Ac.
- 173- R.B. or A. Hill 5-27-04 410 Ac.
- 174- C.H. or E. BARTLET 8-17-2002 300 Ac.
- 175- W.R. Amy 6-1-80 240 Ac.



GRAPHIC SCALE
(IN FEET)
1 inch = 200 ft.

36-042-00-00-000.000
SUFFIELD TWP.

42

T.H. 5-A
BOLENDER 60' R/W

LOT 41

T.H. 3-A
HEIMBAUGH 60' R/W

LOT 49

LOT 39

BROOKHILL ESTATES VOL.24 PG.61
SEE PG. 49

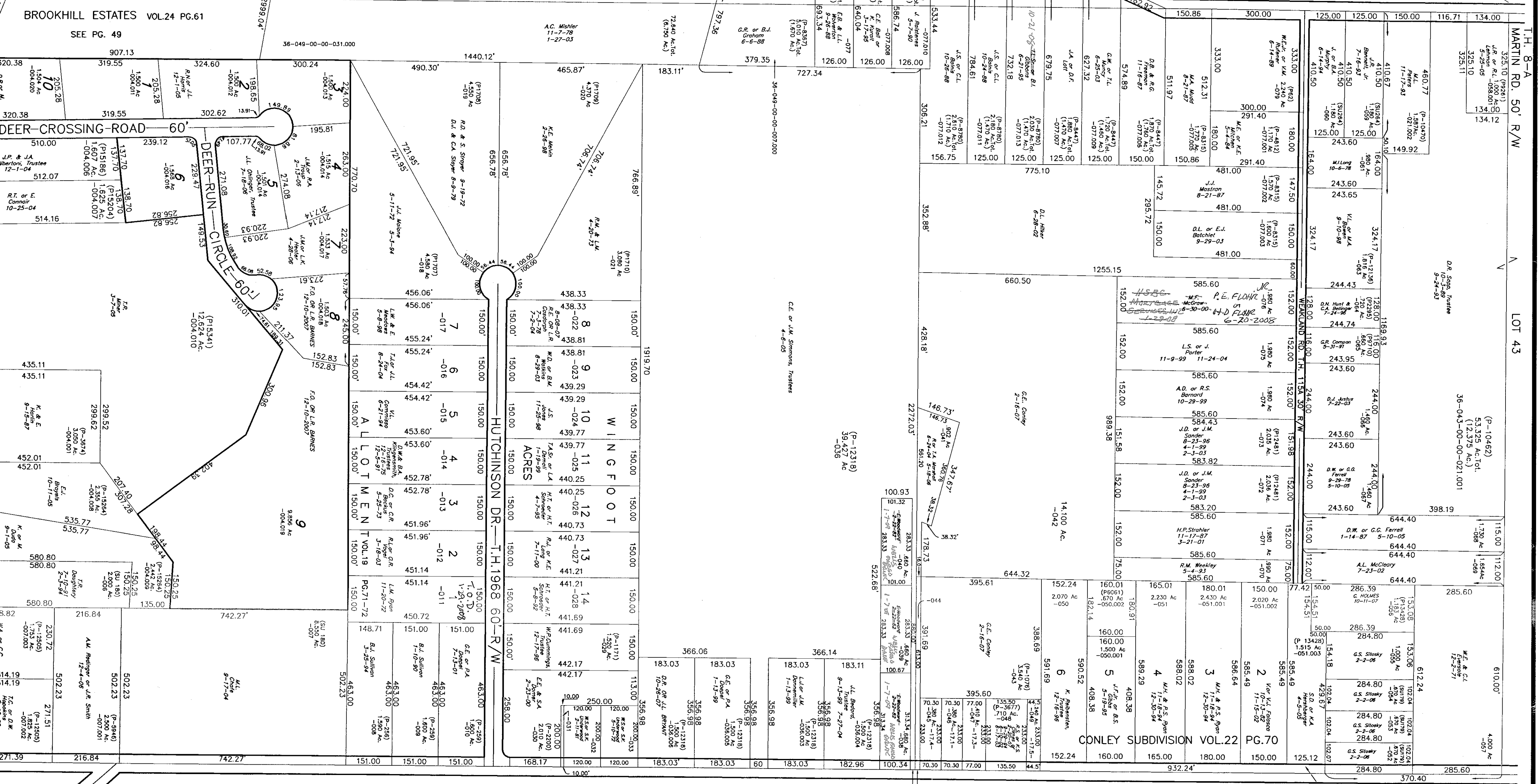
DEER CROSSING-ROAD 60'

DEER-RUN CIRCLE 60'

HUTCHINSON DR. T.H. 1968 60'-R/W

KAPITY-DR.

C.H. 4-B
MISHLER RD. 60' R/W



FILE NO. 3604200